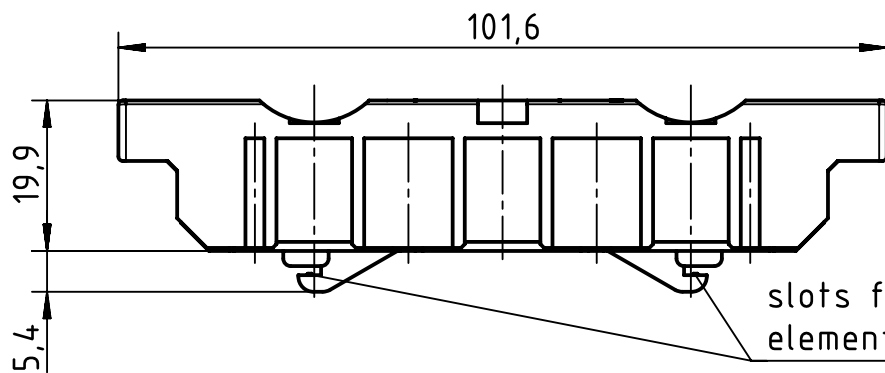
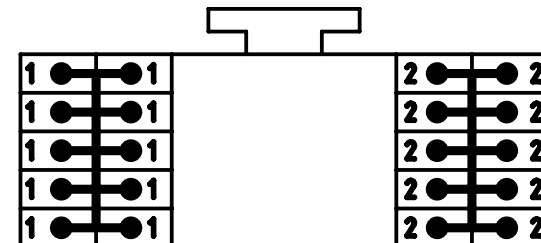


1 2 3 4 5 6

A



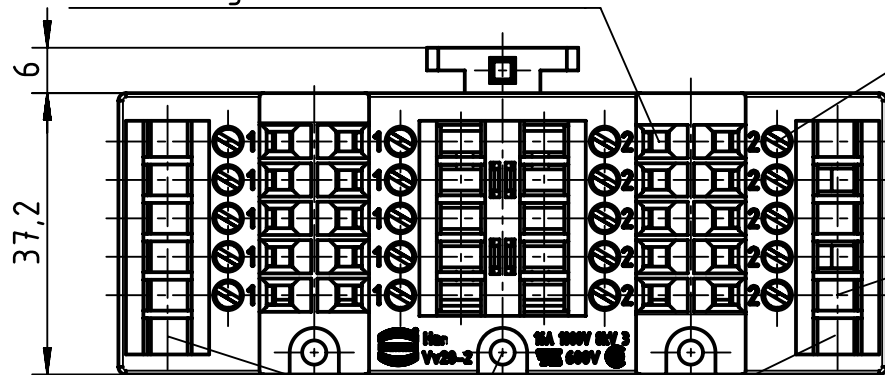
slots for fixing elements 09 33 000 9928



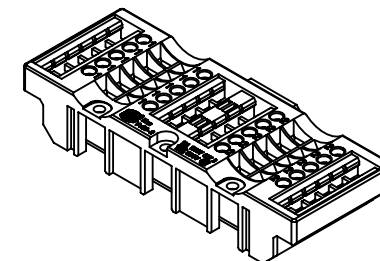
B

connecting terminal for cables

clamping screw for screwdriver 0,5x3,5 DIN 5264



slots for designation strips -09 21 000 9971



C

fixing screw M3x10 belongs to range of delivery

space for blockmarking

- assemble with:
- Han D AV
 - Han E AV with multi-chamber
 - Han Vv

D

	All Dimensions in mm Original Size DIN A4		Scale 1:1	Free size tol.		Ref. Sub.	
	All rights reserved Department EL PD		Created by HELLMANN	Inspected by GERB	Standardisation 302077	Date 2021-04-14	State Final Release
HARTING D-32339 Espelkamp			Title Han Vv 20-2 Multiplier			Doc-Key / ECM-Nr. 100131100/UGD/003/B 500000168769	
			Type TB	Number 09 42 020 0121		Rev. B	Page 1/1